

CS - PT1100 series

Economical ceramic piezoresistive pressure transmitter

- | | |
|-------------------------------------|------------------------------|
| ☆ $\pm 1 \sim \pm 4\%$ F.S Accuracy | Application |
| ☆ High Stability , High Reliability | ◇ Compressor |
| ☆ Pressure Sensor from Germany | ◇ Building water supply |
| ☆ Digital Calibration | ◇ Hydraulic control |
| ☆ Packard Connector | ◇ Air conditioner |
| ☆ Multiple Pressure Ports | ◇ Automotive engine |
| ☆ Zero Point can be shifted freely | ◇ Automatic detection system |
| ☆ CE Approved | ◇ Hydraulic unit |
| ☆ ROHS Approved | ◇ Refrigeration equipment |

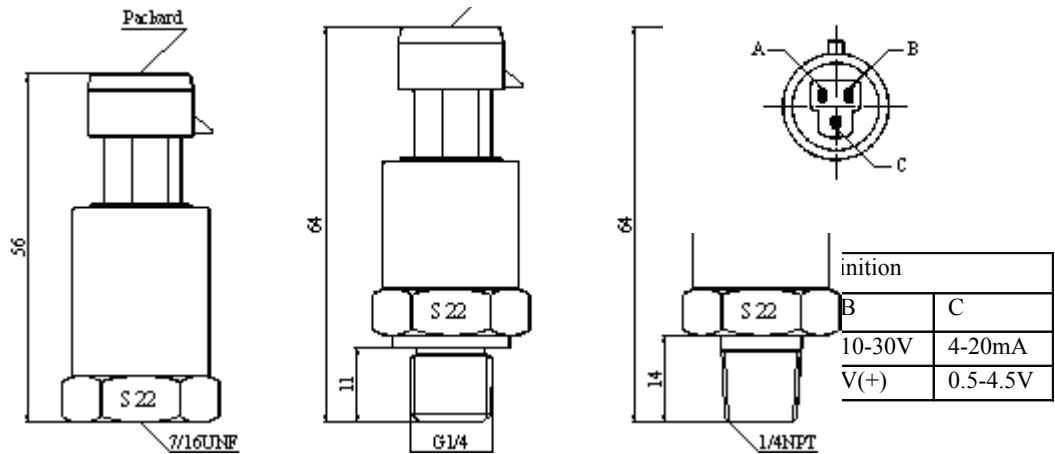
Introduction

CS-PT1100 series of pressure transmitter feature high quality, high stability, small size, low weight, compact structure, low cost and mass production. The products are widely used to measure of air compressors, auto engines, air conditioning equipment, etc.

Stainless steel are ideal for industrial environment, pressure sensing elements are selected from well known international brands. The product is made of stainless steel and the pressure sensor is selected from well-known brands. Special circuits are adopted to adjust zero value and full range freely. The products have been approved with CE, intrinsically safe, and explosion-proof certificates.

Non-polar two-wire current output and three-wire voltage output are provided.

Products are produced according to military standards of advanced design, perfect technology, scientific management, strict production and quality control and have been sold to over 50 countries.



Technical Parameters

Parameter	Value	Note
Measure Range	0-5bar...50bar	1bar=100kPa
Overload Pressure	1.5×RP(rated pressure)	
Broken Pressure	3×RP(rated pressure)	
Accuracy	± 1 、 2 、 4% F.S , (PT100&PT300series have higher accuracy)	
Stabilty	Typical 0.5%F.S , Max 1%F.S	
Operate Temperature	- 40°C~120°C	

CS - PT1100 series

Compensation Temperature	- 10°C~80°C		
Storage Temperature	- 50°C~125°C		
Media Compatibility	corrosive medium compatible with Cr18Ni9Ti, ceramic		
Wires	Two-wire	Three-wire	
Output Signal	4~20mA	0.5~4.5V	
Power Supply	12~30Vdc	5Vdc/10~30Vdc/ac	dc/ac means dc and ac are all usable
load	(U-10)/0.02(Ω)	> 100KΩ	
Insulation	> 100M Ω@50V		
Elec. connector	Packard		
Shell Protection	IP67		
Wire Protection	IP67		
Pressure Port	G1/4, NPT1/4, 7/16-20UNF		
Response Time	10ms		
Pressure Form	Gauge G		
Compliant	Intrinsic Safety E, RoHS, CE		
EMC	EMI:EN50081-1/-2; EMS: EN50082-2		