

CS-PT110/111 Series

pressure transmitter

- ☆ **Accuracy: 0.5%F.S**
- ☆ Local display
- ☆ Multiple measurement
- ☆ Various pressure connections
- ☆ No-polarity two-wire current output
- ☆ Vdc/ac voltage output
- ☆ Intrinsic safety certification
- Explosion proof certification
- CE certification
- ☆ Conform with RoHs standard

Applications

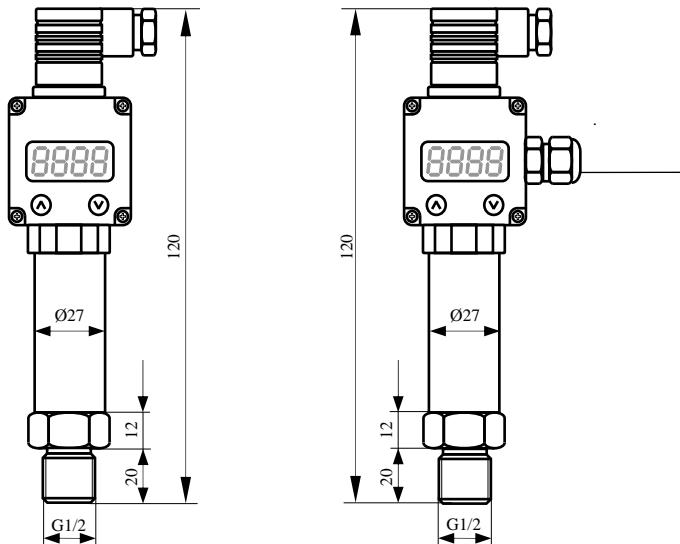
- ☆ various pressure measurement
- ☆ hydraulic control
- ☆ petrochemical & hydropower
- ☆ pressure instrument
- ☆ automatic detection system
- ☆ Water treatment
- ☆ Oil well monitor



Description

CS-PT110/111 series of pressure transmitter with local display are high quality and high stable pressure transmitters which are widely used in pressure measurement such as water, oil, mild corrosive liquid and gas.

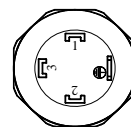
The pressure transmitters adopt stainless steel housing, silicon piezoresistive sensor, and ASIC providing intrinsic safety, explosion proof and CE standards.



Output Types	
4~20mA, 0 to 5V, 0 to 10V	

Pressure Port		
G1/2	NPT1/4	
G1/4	NPT1/2	M20×1.5

Wiring Connect



Pin1	24Vdc
Pin2	4~20mA
GND	shield

Technical data

Items	Technical Specifications	Remark
Measurement range	0.2MPa~35MPa	1MPa≈145PSI
Overload pressure	2 times of full range	Other Units: bar, psi,kg/cm2
Failure pressure	4 times of full range	
Accuracy	±0.5%, ±0.2%,±0.1%	
Stability	Typical value: 0.25%F.S, Maximum value: 0.4%F.S	
Operation temperature	-40℃~85℃	
Offset temperature	-10℃~70℃	
Medium compatibility	All corrosive medium compatible with1Cr18Ni9Ti	
Electrics feature	Two-wire type	
Signal output	4~20mA	
Power supply	10~36Vdc	
Load resistance	(U-10)/0.02(Ω)	
Insulate	>100M Ω@50V	
Electrics connector	Connector: DIN43650, shell protection: IP65	
Pressure junction	M20×1.5, G1/2, G1/4, NPT1/2, NPT1/4	
Response time	10ms	
Pressure form	Gauge pressure Absolute pressure	
certification	Intrinsic safety E, Explosion proof D、CE certification	
Electromagnetic compatibility	Electromagnetic radiation: EN50081-1/-2; Electromagnetic sensitivity: EN50082-2;	
Display	Local display value	

Order info

CS-PT111 --- 1---2---3---4---5

1. **Range:** 1. 0 to 2bar. 2. 0 to 3bar. 3. 0 to 4bar. 4. 0 to 10bar. 5. 0 to 20bar. 6. 0 to 30bar. 7.0 to 60bar. 8. 0 to 100bar. 9. 0 to 200bar. 10. 0 to 350bar 11. other range
2. **Accuracy:** a.0.5% accuracy. b. 0.25% accuracy. c. 0.1% accuracy
3. **Output:** m. 4 to 20 m A, v. 0 to 5V. w. 0 to 10V x. others
4. **Pressure port:** G. G1/4, H. G 1/2, N. NPT1/4. M. NPT1/2. O. M20×1.5
5. **Electrical connection:** Q. DIN43650