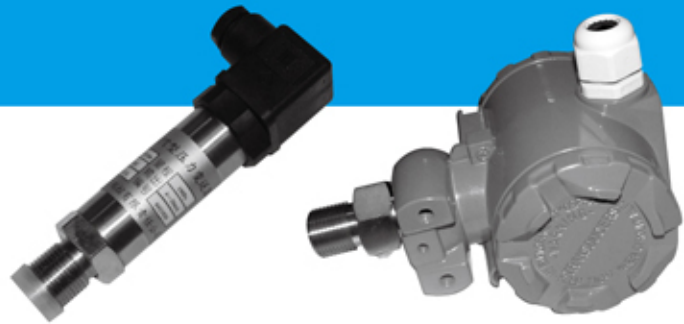


SENSOR EXPERT Pressure Transmitter

CS-PT300/PT300E Universal Pressure Transmitter



(1) Feature

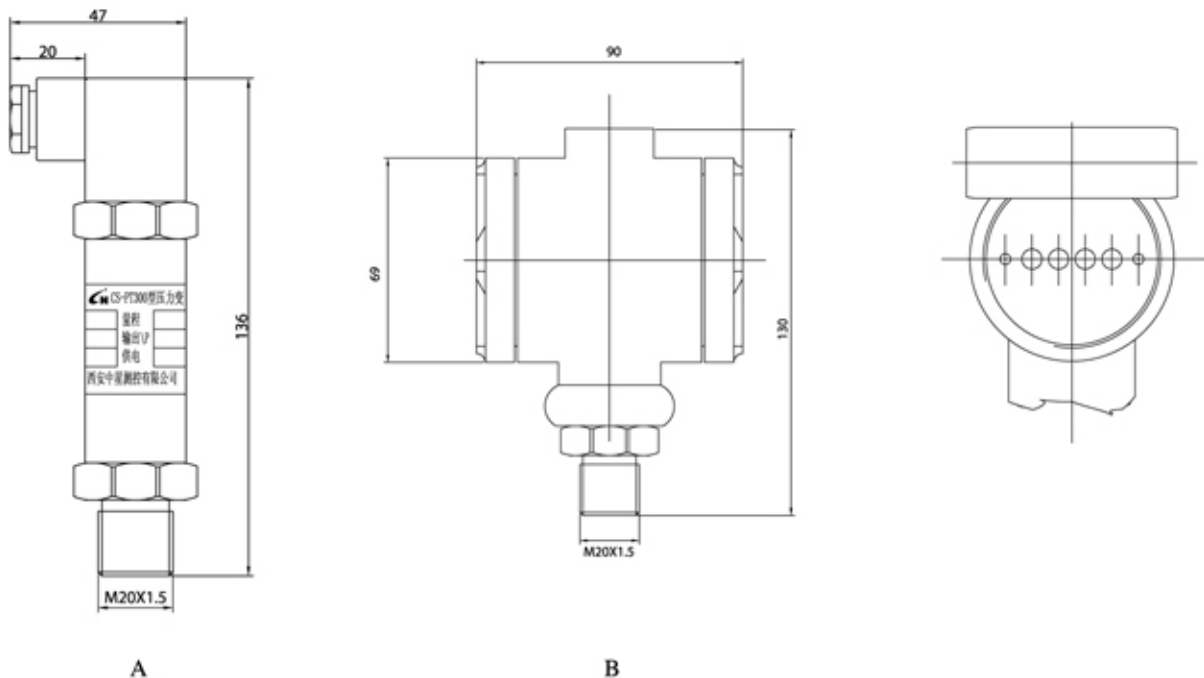
Multi-structures, material safety, Oil proof, high performance of stability and reliability;
Multi-output forms, a wide measurement range, high stability and reliability;
wider range of power supply, and output;
Protection of reversed circuit, high stability, stainless steel;
CS-PT300E can be specially used in some flammable environment.

(2) Technology Data

Measurement Range: 0 to 200Kpa 0~100Mpa
Pressure form: Gauge pressure
Accuracy: 0.5 %/0.2% F.S (including linearity, repeatability and hysteresis)
Long Term Stability: ± 0.15 % F.S. per year
Output: 4mA to 20 mA 0-5v/1~5v/0~10v/1~10v
Power Supply: 12VDC~36VDC
Pressure Connection: M20 x 1.5 (others on request)
Response Time: 10ms
Allowed overpressure: 2.5 full times scale
Compensated Temperature: from -10°C to $+60^{\circ}\text{C}$
Operating Temperature: from -40°C to $+85^{\circ}\text{C}$

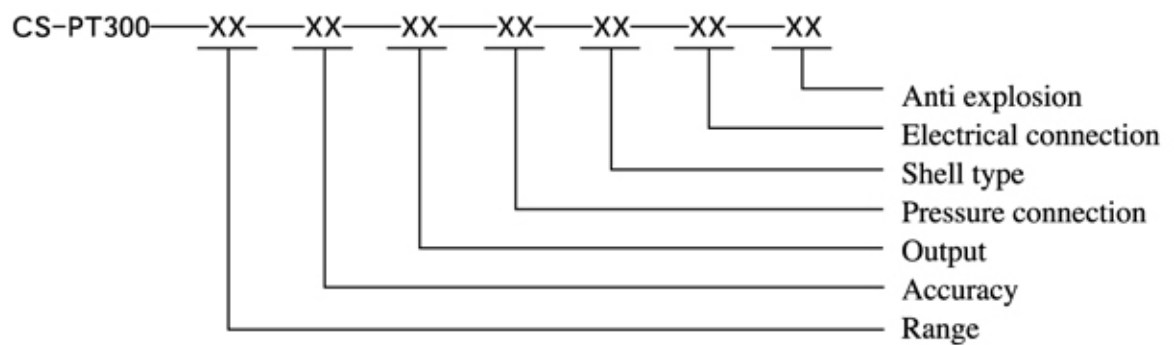
(3) Application

It can be used in measuring the pressure of Aerospace equipment, Industry process control, Hydraulic pressure controlling system, water treatment, food and drink mechanical instrument and thermodynamic system.





(4) Ordering Code



(5) Ordering Code

Product Model	Measurement Range	Measurement is requested by Customers					
			1	0~200KPa	6	0~10MPa	11
CS-PT300	1~15	2	0~400KPa	7	0~16MPa	12	0~60MPa
		3	0~1MPa	8	0~25MPa	13	0~100MPa
		4	0~3.5MPa	9	0~35MPa	14	-0.1~0
		5	0~6MPa	10	0~40MPa	15	Others on request
		Measurement Accuracy	1	0.5%F.S			
		2	0.2%F.S				
		Output form					
		1	4~20mA	3	0~10V	5	1~10V
		2	0~5V	4	1~5V		
		Pressure Connection					
		1	M20×1.5				
		2	Others on request				
		shell type		A	Stainless steel		
				B	Die casting aluminum		
		electric Connection		A	Hirschmann Connector		
			B	Calole			
	Anti-explosion		O	Anti-explosion proofing			
			E				